

LUGB

LUGB

Karman

JB/T9249-1999

JJG1029-2007

± 1.0%; ± 1.5%
(1/4~1/2),

3.1

	± 1.0%R	± 2%						
	± 1.5%R	± 2.5%						
	-40 +70	T1 -40 +250	T2 -40 +350	T3				
	-20 ~+60	5% 90%	86 106KPa					
A.	+24VDC±15%	□	4-20mA		RS485			
B.	1 3.6VDC		2.0					
A.	1W	B.						
	4 ~ 20mA	RS485	HART					

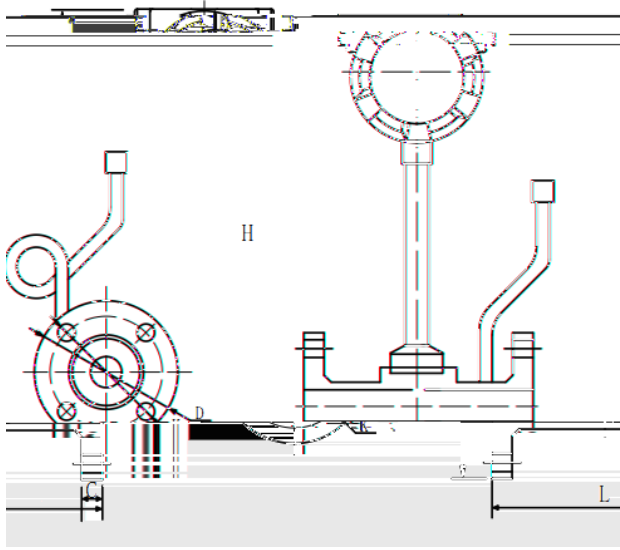
3.2

mm	m3/h	m3/h	m3/h	m3/h	-----	Mpa	Mpa
DN15	1.2-6.2	5-25			/	1.6/2.5	4.0
DN20	1.5-10	8-50			/	1.6/2.5	
DN25	1.6-16	10-70			/	1.6/2.5	
DN32	1.9-19	15-150			/	1.6/2.5	
DN40	2.5-26	22-220			/	1.6/2.5	
DN50	3.5-38	36-320			/	1.6/2.5	
DN65	6.2-65	50-480			/	1.6/2.5	
DN80	10-100	70-640			/	1.6/2.5	
DN100	15-150	130-1100			/	1.6/2.5	
DN125	25-250	200-1700			/	1.6	

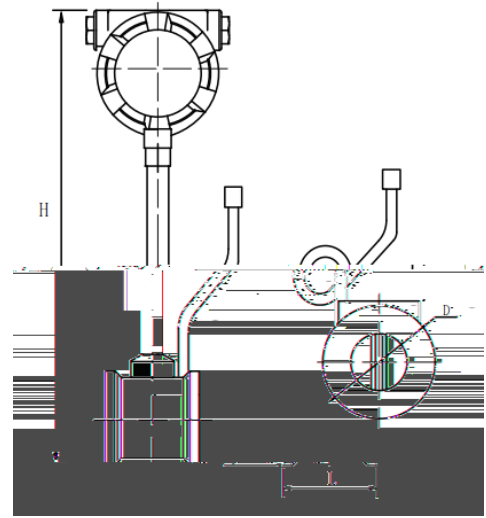
DN150	36-380	280-2240			/	1.6	
DN200	62-650	580-4960	70-700	600-6000	/ /	1.6	
DN250	140-1400	970-8000	110-1100	1060-10600	/ /	1.6	
DN300	200-2000	1380-11000	180-1800	1500-15000	/ /	1.6	
DN350			210-2100	2000-20000		1.6	
DN400			270-2700	2700-27000		1.6	
DN450			350-3500	3300-33000		1.6	
DN500			450-4500	4200-42000		1.6	
DN600			600-6000	6100-61000		1.6	
DN800			800-8000	11000-110000		1.6	
DN1000			1200-12000	17000-170000		1.6	
DN1200			1800-18000	24000-240000		1.6	
DN1500			2600-26000	38000-380000		1.6	

LUGB	-	/	/	/	/	/	/		
	1							3.2	
	2								
	3								
	4								
		1							
		2							
		3							
			**					3.2	

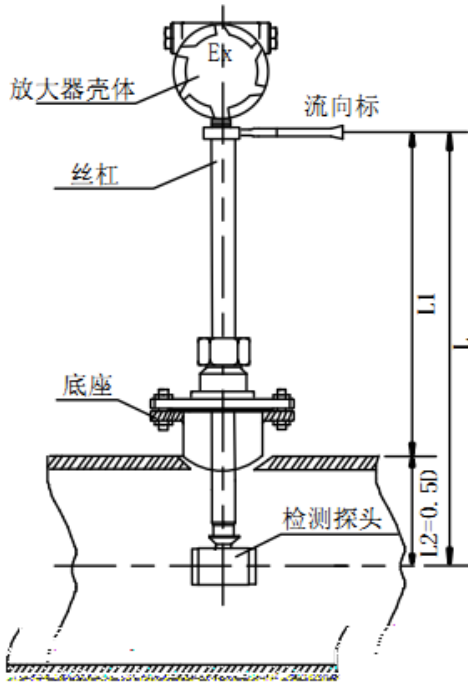
Z



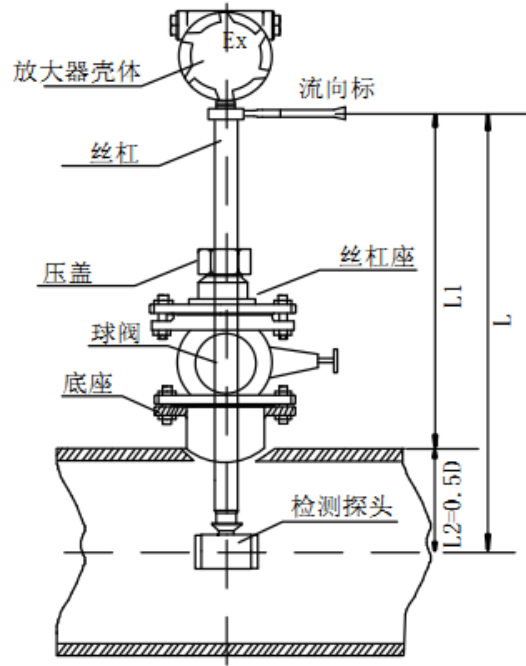
1 DN15-DN300



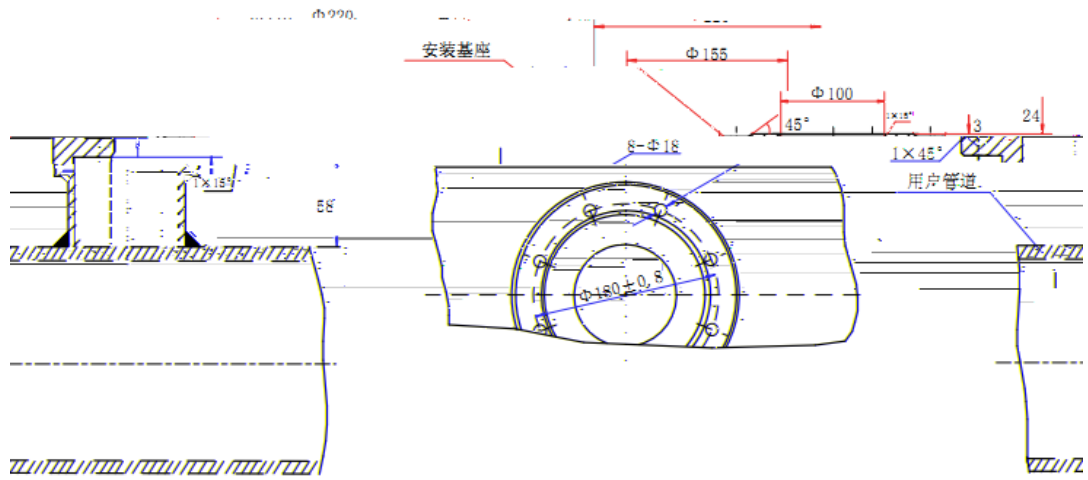
2 DN15-DN300



3



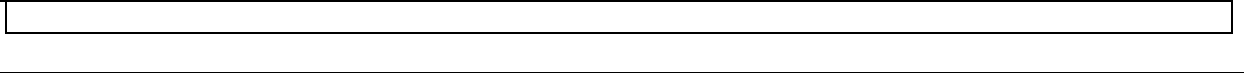
4



5

5.2

5.2.1



40	80	116	404	77	49× 4.5
50	80	116	412	89	59× 4.5
65	93	116	428	102	74× 4.5
80	100	116	446	113	89× 4.5
100	125	118	472	135	109× 4.5
125	145	124	492	158	134× 4.5
150	165	135	515	181	159× 4.5
200	196	150	570	248	219× 9
250	120	166	620	297	273× 11
300	135	185	670	350	325× 12

1.6MPa

L0